

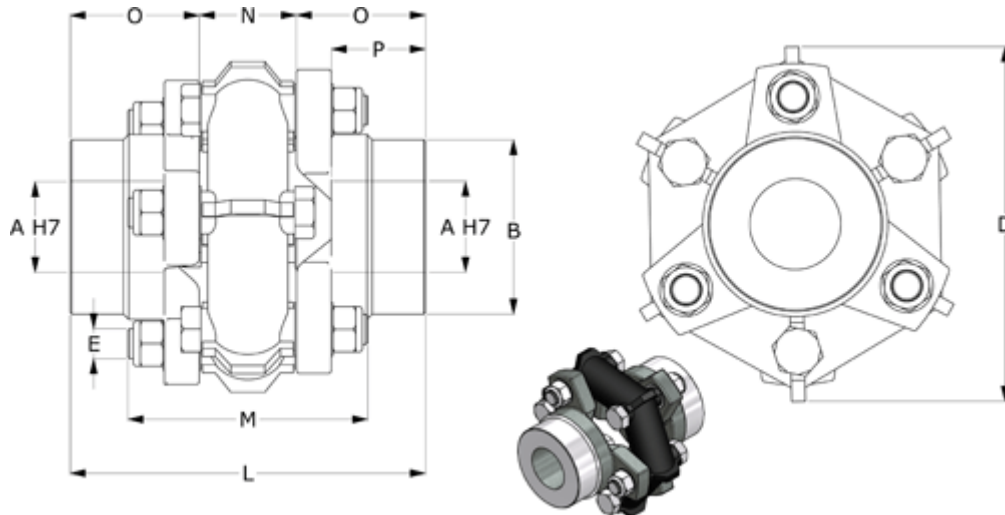
Data Sheet



Article number: 3213355

Description: Ortlinghaus Coupling size 55

Measures



A max H7	= 80	M	= 172	Tightening torque N m	= 330
Axial displacement mm	= +/-4	Moment of inertia kg/m ²	= 0.05125	Weight	= 18.5
B	= 125	N	= 68		
Bending angle	= +/-2,8	O	= 96		
C	= 186	P	= 82		
D	= 254	Radial displacement	= +/-1		
E	= M20	Standard running NM	= 800		
L	= 260	Stress load Nm	= 2000		